



NEWS RELEASE

May 22, 2006

INTERNET MULTIFEED CO.

MFEED Starts Providing JPNAP "PI/CUG Service (Trial)"

TOKYO, JAPAN -INTERNET MULTIFEED CO. ("MFEED"; Head Office: Chiyoda-ku, Tokyo; President and CEO: Koichi Suzuki) announced today that it is launching its JPNAP PI/CUG Service on a trial basis from June 1, 2006. The PI (Private Interconnect) / CUG (Closed Users Group) Service is a value-added service of "JPNAP", distributed Internet exchange (IX) service, that realizes secure, private traffic exchange among designated members or between two members.

The JPNAP "PI/CUG Service (Trial)" utilizes VLAN (Virtual LAN) (*1) technology to enable secure, private traffic exchange between one or more designated members in a logical space that is separated from the existing public JPNAP service. In addition to realizing the diverse manner of utilization of IX, the new trial service aims to achieve redundancy with the existing JPNAP service.

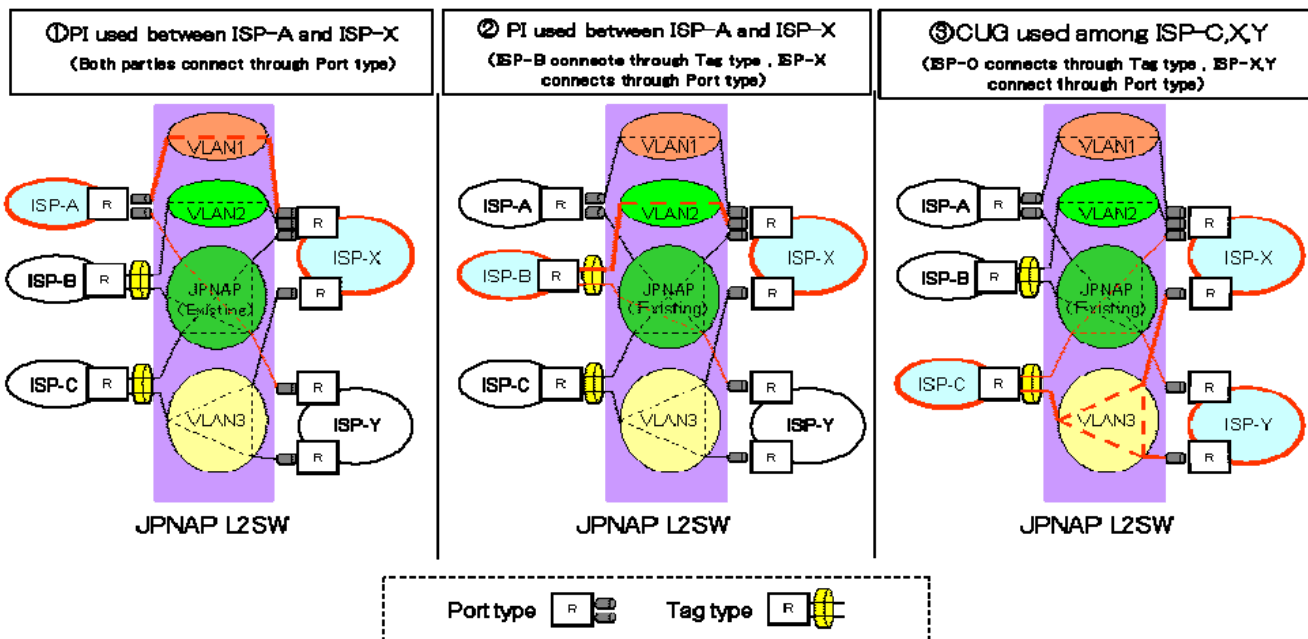
This service provides not only a "Port type" that lets customers use one port for one PI/CUG (VLAN) but also a "Tag type" that lets customers use one port for multiple PI/CUGs. With the "Tag type" that uses IEEE802.1q (*2) tagging, an industrial standard, customers will be able to make more effective use of their ports.

@nifty/FENICS, BIGLOBE, IJJ, InfoSphere, ntt.net, and OCN are planning to use this trial service.

MFEED will continue to promote dynamic, wholesome growth of the Internet and actively engage in efforts to provide services that contribute to improving its reliability as a social infrastructure.

1. Service Overview

The PI/CUG trial service, a service that is in addition to the JPNAP service being provided in Otemachi, Tokyo, utilizes VLAN technology to let customers use PI or CUG within the JPNAP service. PI is used for direct connections between two parties, and CUG enables traffic exchange among three or more parties. Customers can select to use either the "Tag type" port or the "Port type" port to connect.



2. Application Terms

This trial service is for customers of the JPNAP Service (current JPNAP service segment). Terms and Conditions of the JPNAP Service are here (<http://www.mfeed.co.jp/english/jpnap/basic.html>).

3. Access Location

NTT Otemachi Building, Tokyo Sankei Building

4. Trial Schedule (Current plan)

The trial service is to start on June 1, 2006, and full-scale service is planned to start in October 2006.

5. Service Fees (for the additional service)

The trial service is free of charge during the trial period. (There is a separate port charge when using the trial service. Connection port fees are here (<http://www.mfeed.co.jp/english/jpnap/price.html>).

*1) VLAN is a virtually separated network segment to be independent of the physical topology and to use the segments as multiple networks.

*2) the standard of Virtual LAN (VLAN) standardized by the IEEE.

[Contact]

Public Relations Office
INTERNET MULTIFEED CO.
Tel: +81 3 3282 1010
Fax: +81 3 3282 1020
Email: info@mfeed.co.jp